

# Product catalog

2024



# Elos Accurate®

IO Scan Body








Print Model Analog

Pre-Milled Blank



U.S. Only

Implant System	System code	Platform	IO Scan Body			Print Model Analog			Pre-Milled Blank		
			IO	PMA	PMB	IO	PMA	PMB	IO	PMA	PMB
BIO-HORIZONS	BioHorizons Internal	BHI	3.0	IO 11A-A	PMA-BHI30-1						
			3.5	IO 11A-B	PMA-BHI35-1						
			4.5	IO 11A-C	PMA-BHI45-1						
			5.7	IO 11A-D	PMA-BHI57-1						
BioHorizons Multi-Unit Abutment	BHM	4.5	IO 11B-A	PMA-BHM45-1							
CAMLOG	Camlog®	CAS	3.3	IO 9A-A	PMA-CAS33-1						
			3.8	IO 9A-B	PMA-CAS38-1						
			4.3	IO 9A-C	PMA-CAS43-1						
			5	IO9A-D	PMA-CAS50-1						
			6	IO9A-D	PMA-CAS60-1						
Camlog® Bar Abutment	CBA	3.3-4.3	IO 9B-A	PMA-CBA43-1							
Ankylos®	DAN	3.5-7.0	IO 8B-A	PMA-DAN35/70-1							
Ankylos Balance Base Abutment	DBA	BB NP	IO 8C-A	PMA-DBA40-1							
DENTSPLY SIRONA	Astra Tech TX	ATO	3.0	IO 3A-A	PMA-ATO30-1						
			3.5/4.0	IO 3A-B	PMA-ATO35-1				PMB-ATO35-1		
			4.5/5.0	IO 3A-C	PMA-ATO45-1				PMB-ATO45-1		
	Astra Tech UniAbutment	ATU	20°	IO 3D-B	PMA-ATU20-1						
			45°	IO 3D-C	PMA-ATU45-1						
	Astra Tech EV	ATE	3.0	IO 3B-A	PMA-ATE30-1						
			3.6	IO 3B-B	PMA-ATE36-1				PMB-ATE36-1		
			4.2	IO 3B-C	PMA-ATE42-1				PMB-ATE42-1		
			4.8	IO 3B-D	PMA-ATE48-1				PMB-ATE48-1		
			5.4	IO 3B-E	PMA-ATE54-1				PMB-ATE54-1		
Astra Tech Profile EV	ATE-P	4.2	IO 3C-A	PMA-ATE42P-1							
4.8		IO 3C-B	PMA-ATE48P-1								
MultiBase EV	MUA	4.5	IO 2C-A	PMA-MUA45-1							
Astra Tech UniAbutment EV	AUE	UA33°	IO 3D-A	PMA-AUE33-1							
Xive®	DXI	3.0	IO 8A-A	PMA-DXI30-1							
		3.4	IO 8A-B	PMA-DXI34-1							
		3.8	IO 8A-C	PMA-DXI38-1							
		4.5	IO 8A-D	PMA-DXI45-1							
		5.5	IO 8A-D	PMA-DXI55-1							
ET	HET	M 3.2	IO 12A-A	PMA-HET32-1							
		M 3.5		PMA-HET35-1				PMB-HET35-1			
		R 4.5	IO 12A-B	PMA-HET45-1				PMB-HET45-1			
Neoss® Access Abutment	NAC		IO 1B-A	PMA-NAC40-1							
Neoss Implant System	NIS	3.25	IO 1A-B	PMA-NIS33-1							
		3.5-5.5	IO 1A-A	PMA-NIS35/55-1							
Grand Morse	NGM	3,5	IO 13A-A	PMA-NGM35-1							
		4,5									
		5,5						PMB-NGM45-1			
Grand Morse Micro Abutment	NGA	3,5	IO 13A-B	PMA-NGA35-1							
Grand Morse Mini Abutment	MUA	4,5	IO 2C-A	PMA-MUA45-1							
NOBEL BIO CARE	Brånemark System	BRA	NP	IO 6A-A	PMA-BRA35-1					PMB-BRA35-1	
			RP	IO 6A-B	PMA-BRA41-1				PMB-BRA41-1		
			WP	IO 6A-C	PMA-BRA51-1				PMB-BRA51-1		
	Conical Connection	NBA	3.0	IO 2B-D SA	PMA-NBA30-1					PMB-NBA30-1	
			NP	IO 2B-A SA	PMA-NBA35-1				PMB-NBA35-1		
				IO 2B-A							
			RP	IO 2B-B SA	PMA-NBA43-1				PMB-NBA43-1		
				IO 2B-B							
	WP	IO 2B-C SA	PMA-NBA60-1				PMB-NBA60-1				
		IO 2B-C									
Multi-Unit Abutment	MUA	NP/RP	IO 2C-A	PMA-MUA45-1							
		WP	IO 2C-B	PMA-MUA60-1							
Replace®	NBR	NP	IO 2A-A	PMA-NBR35-1					PMB-NBR35-1		
		RP	IO 2A-B	PMA-NBR43-1					PMB-NBR43-1		
		WP	IO 2A-C	PMA-NBR50-1					PMB-NBR50-1		
		6.0	IO 2A-D	PMA-NBR60-1					PMB-NBR60-1		
		NC	IO 4A-A	PMA-SBO33-1					PMB-SBO33-1		
STRAUIMANN	Bone Level	SBO	RC	IO 4A-B	PMA-SBO41-1					PMB-SBO41-1	
			3.5	IO 4D-A	PMA-SSA35-1						
	Screw-retained Abutment	SSA	4.6	IO 4D-B	PMA-SSA46-1						
			3.5 NNC	IO 4C-A							
	Standard	SSY	RN	IO 4B-A	PMA-SSY48-1					PMB-SSY48-1	
			WN	IO 4B-B	PMA-SSY65-1					PMB-SSY65-1	
			4.5	IO 4E-A	PMA-SBX45-1						
	6.5	PMA-SBX65-1									
	BLX	SBX	3.4	IO 7B-A							
			4.1								
5.0			IO 7B-B								
6.0											
Certain® Internal Connection	BCE	3.4	IO 7A-A								
		4.1									
		5.0									
		6.0									
		3.4		IO 7A-B	PMA-BEH34-1						
4.1	PMA-BEH41-1										
5.0	PMA-BEH50-1										
6.0	PMA-BEH60-1										
Tapered Screw-Vent® Implant	ZSV	3.5	IO 5A-A	PMA-ZSV35-1					PMB-ZSV35-1		
		4.5	IO 5A-B	PMA-ZSV45-1					PMB-ZSV45-1		
		5.7	IO 5A-C	PMA-ZSV57-1					PMB-ZSV57-1		
Low Profile Abutment	MUA	4.5	IO 2C-A	PMA-MUA45-1							

Hybrid Base Engaging		Hybrid Base Non-Engaging		Prosthetic screw for straight channels		Prosthetic screw - hexalobular	Torque			
					Screwdriver from implant manufacturer					
HBE	HBE-H	HBN	HBN-H	AS	Screwdriver:	AS hexalobular	Ncm:			
		HBN-MUA45-1	HBN-MUA45H-1	AS-MUAM1403POS		AS-MUAM1403A-1	15 Ncm			
		HBN-CBA43-1				AS-CBAM1604A-1	15 Ncm			
		HBN-DBA40-1	HBN-DBA40H-1	AS-DBAM1605POS		AS-DBAM1605A-1	10 Ncm			
HBE-ATO30-1				AS-ATOM148POS		AS-ATOM1408A-1	15 Ncm			
HBE-ATO35/40-1	HBE-ATO35/40H-1			AS-ATOM168POS	"0.050" Hex screwdriver	AS-ATOM1608A-1	20 Ncm			
HBE-ATO45/50-1	HBE-ATO45/50H-1			AS-ATOM2010POS		AS-ATOM2010A-1	25 Ncm			
		HBN-ATU20-1	HBN-ATU20H-1			AS-ATUM1405A-1	15 Ncm			
		HBN-ATU45-1								
HBE-ATE30-1				AS-ATEM148POS	"0.050" Hex screwdriver	AS-ATEM1408A-1	25 Ncm			
HBE-ATE36-1	HBE-ATE36H-1			AS-ATEM168POS		AS-ATEM1608A-1				
HBE-ATE42-1	HBE-ATE42H-1			AS-ATEM188POS		AS-ATEM1808A-1				
HBE-ATE48-1	HBE-ATE48H-1									
HBE-ATE54-1				AS-ATEM208POS		AS-ATEM2008A-1				
		HBN-MUA45-1	HBN-MUA45H-1	AS-MUAM1403POS		AS-MUAM1403A-1	15 Ncm			
		HBN-AUE33-1	HBN-AUE33H-1			AS-AUEM1805A-1	15 Ncm			
HBE-HET35-1	HBE-HET35H-1		HBN-HET35H-1	AS-HETM1610POS		AS-HETM1610A-1				
HBE-HET45-1	HBE-HET45H-1		HBN-HET45H-1	AS-HETM2008POS		AS-HETM2008A-1				
HBE-NGM45-1	HBE-NGM45H-1		HBN-NGM45H-1	AS-NGMM1610POS		AS-NGMM1610A-1				
		HBN-NGA35-1	HBN-NGA35H-1	AS-MUAM1403POS	Nobel Biocare Unigrip	AS-MUAM1403A-1	15 Ncm			
		HBN-MUA45-1	HBN-MUA45H-1	AS-MUAM1403POS		AS-MUAM1403A-1	15 Ncm			
HBE-BRA35-1		HBN-BRA35-1		AS-BRAM167POS	Nobel Biocare Unigrip	AS-BRAM1607A-1	35 Ncm			
HBE-BRA41-1	HBE-BRA41H-1	HBN-BRA41-1	HBN-BRA41H-1	AS-BRAM207POS		AS-BRAM2007A-1				
HBE-BRA51-1		HBN-BRA51-1		AS-BRAM257POS		AS-BRAM2507A-1				
HBE-NBA30-1				AS-NBAM1407POS	Nobel Biocare Unigrip	AS-NBAM1407A-1	15 Ncm			
HBE-NBA35-1	HBE-NBA35H-1	HBN-NBA35-1	HBN-NBA35H-1	AS-NBAM168POS		AS-NBAM1608A-1	35 Ncm			
HBE-NBA43-1	HBE-NBA43H-1	HBN-NBA43/50-1	HBN-NBA43/50H-1	AS-NBAM207POS		AS-NBAM2007A-1				
HBE-NBA60-1	HBE-NBA60H-1	HBN-NBA60-1								
		HBN-MUA45-1	HBN-MUA45H-1	AS-MUAM1403POS		AS-MUAM1403A-1	15 Ncm			
		HBN-MUA60-1		AS-MUAM1804POS		AS-MUAM1804A-1				
HBE-NBR35-1	HBE-NBR35H-1	HBN-NBR35-1	HBN-NBR35H-1	AS-NBRM1808POS	Nobel Biocare Unigrip	AS-NBRM1808A-1	35 Ncm			
HBE-NBR43-1	HBE-NBR43H-1	HBN-NBR43-1	HBN-NBR43H-1							
HBE-NBR50-1		HBN-NBR50-1		AS-NBRM2010POS		AS-NBRM2010A-1				
HBE-NBR60-1		HBN-NBR60-1								
HBE-SBO33-1	HBE-SBO33H-1	HBN-SBO33-1								
HBE-SBO41/48-1	HBE-SBO41/48H-1	HBN-SBO41/48-1		AS-SBOM1608POS	SCS screwdriver	AS-SBOM1608A-1	35 Ncm			
		HBN-SSA35-1	HBN-SSA35H-1			AS-SSAM1404A-1	15 Ncm			
		HBN-SSA46-1	HBN-SSA46H-1							
HBE-SSY48-1	HBE-SSY48H-1	HBN-SSY48-1	HBN-SSY48H-1	AS-SSYM207POS	SCS screwdriver	AS-SSYM2007A-1	35 Ncm			
HBE-SSY65-1	HBE-SSY65H-1	HBN-SSY65-1								
HBE-SBX45-1	HBE-SBX45H-1	HBN-SBX45-1	HBN-SBX45H-1	AS-SBXM1606POS	SCS screwdriver	AS-SBXM1606A-1	35 Ncm			
HBE-BCE34-1				AS-BCEM168POS	"0.050" (1.25 mm) Hex screwdriver	AS-BCEM1608A-1	20 Ncm			
HBE-BCE41-1										
HBE-BCE50-1										
HBE-BCE60-1										
HBE-ZSV35-1		HBN-ZSV35-1		AS-ZSVM1808POS	"1.25 mm Hex screwdriver"	AS-ZSVM1808A-1	30 Ncm			
HBE-ZSV45-1		HBN-ZSV45-1								
HBE-ZSV57-1		HBN-ZSV57-1								
		HBN-MUA45-1	HBN-MUA45H-1	AS-MUAM1403POS	Nobel Biocare Unigrip	AS-MUAM1403A-1	15 Ncm			

## Table of content

6 ● BioHorizons



8 ● Camlog



12 ● Dentsply Sirona



20 ● Hiossen®



21 ● Neoss



22 ● Neodent®



24 ● Nobel Biocare



33 ● Straumann

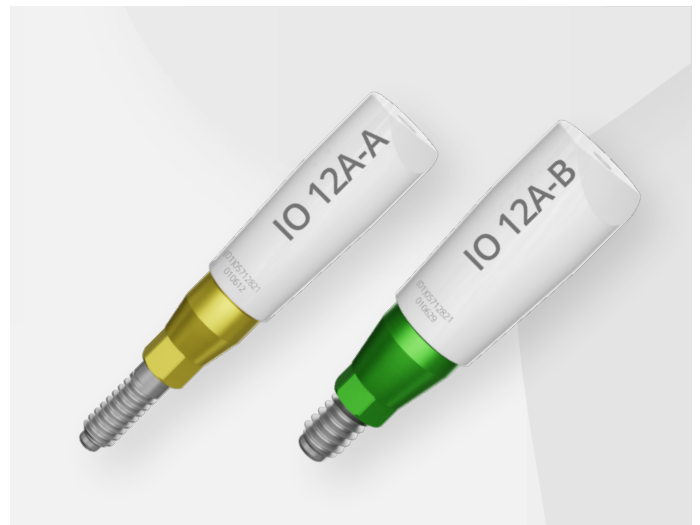


38 ● ZimVie



# Welcome to the family

- more Elos Accurate® ScanBody PEEK products to choose from



<b>DENTSPLY SIRONA</b> MultiBase EV	MUA	4.5	IO 2C-A
<b>HIOSSEN</b> ET	HET	3.2+3.5 4.5	IO 12A-A IO 12A-B
<b>NEODENT</b> Grand Morse	NGM	3.5-5.5	IO 13A-A
Grand Morse Micro Abutment	NGA	3.5	IO 13B-A
Grand Morse Mini Abutment	MUA	4.5	IO 2C-A
<b>STRAUMANN</b> BLX	SBX	4.5+6.5	IO 4E-A
<b>ZIMVIE</b> Low Profile Abutment	MUA	4.5	IO 2C-A

COMPATIBLE TO:

BioHorizons® Internal

BHI

**Elos Accurate® Scan Body**

**Material:** Titanium seating and PEEK in scanning area for optimal scanning results without spraying.

**Screwdriver:** C18512, C13485 or C13048. See last pages.

**Torque Value:** Hand-torque until stable. No more than 5 Ncm.

3.0



IO 11A-A

3.5



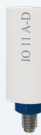
IO 11A-B

4.5



IO 11A-C

5.7



IO 11A-D

**Elos Accurate® Analog for Printed Models**

1-piece analog for printed model.

**Analog tools:** PMA-AIT-1, PMA-AIP-2 and PMA-AIS-5. See last pages.



PMA-BHI30-1



PMA-BHI35-1



PMA-BHI45-1



PMA-BHI57-1

COMPATIBLE TO:

# BioHorizons Multi-Unit Abutment

BHM

4.5

## Elos Accurate® Scan Body

**Material:** Titanium seating and PEEK in scanning area for optimal scanning results without spraying.

**Screwdriver:** C18512, C13485 or C13048. See last pages.

**Torque Value:** Hand-torque until stable. No more than 5 Ncm.



IO 11B-A

## Elos Accurate® Analog for Printed Models

1-piece analog for printed model.

**Analog tools:** PMA-AIT-1, PMA-AIP-2 and PMA-AIS-5. See last pages.



PMA-BHM45-1

COMPATIBLE TO:  
**Camlog®**

CAS

**Elos Accurate® Scan Body**

**Material:** Titanium seating and PEEK in scanning area for optimal scanning results without spraying.

**Screwdriver:** C18512, C13485 or C13048. See last pages.

**Torque Value:** Hand-torque until stable. No more than 5 Ncm.

3.3



IO 9A-A

3.8



IO 9A-B

4.3



IO 9A-C

5.0



IO 9A-D

**Elos Accurate® Analog for Printed Models**

1-piece analog for printed model.

**Analog tools:** PMA-AIT-1, PMA-AIP-2 and PMA-AIS-5. See last pages.



PMA-CAS33-1



PMA-CAS38-1



PMA-CAS43-1



PMA-CAS50-1



COMPATIBLE TO:

**Camlog® Bar Abutment**

CBA

3.3

**Elos Accurate® Scan Body**

**Material:** Titanium seating and PEEK in scanning area for optimal scanning results without spraying.

**Screwdriver:** C18512, C13485 or C13048. See last pages.

**Torque Value:** Hand-torque until stable. No more than 5 Ncm.



IO 9B-A

**Elos Accurate® Analog for Printed Models**

1-piece analog for printed model.

**Analog tools:** PMA-AIT-1, PMA-AIP-2 and PMA-AIS-5. See last pages.



PMA-CBA43-1

**Elos Accurate® Hybrid Base™ Non-Engaging**

Titanium Hybrid Base for screw-retained bridge restorations.

**Torque Value:** 15 Ncm



Gingival height 1.5 mm

Margin diameter 5.0 mm

Chimney height 4.1 mm

HBN-CBA43-1

**Elos Accurate® Hexalobular Prosthetic Screw**

Prosthetic screw with M1.6 thread.

**Screwdriver:** PS-AH18-1, PS-AH26-1 or PS-AH34-1, see last pages.

**Torque Value:** 15 Ncm



AS-CBAM1604A-1



Must be mounted with Elos Prosthetic Screw or Elos Accurate Hexalobular Prosthetic Screw  
SCREWS **NOT** INCLUDED

# Elos Accurate<sup>®</sup>

## Pre-Milled Blank Solutions

Open validated workflow

Elos Accurate<sup>®</sup> Pre-Milled blanks, using validated workflows in compliance with FDA regulations, enable dental labs to produce customized titanium abutments in-house with complete control of quality and timing. The Pre-Milled blank features a highly precise and stable design, allowing labs to achieve greater consistency, ease and faster turnaround times while meeting regulatory requirements.

By leveraging our unique validated workflows, labs can anticipate predictable outcomes.

Elos Accurate Pre-Milled blanks, are accompanied by compatible modules and holder, and they are available with major implant systems. The Elos Accurate Pre-Milled blank library is available in 3shape and exocad.

## Elos Accurate<sup>®</sup> Pre-Milled Blank

### Features



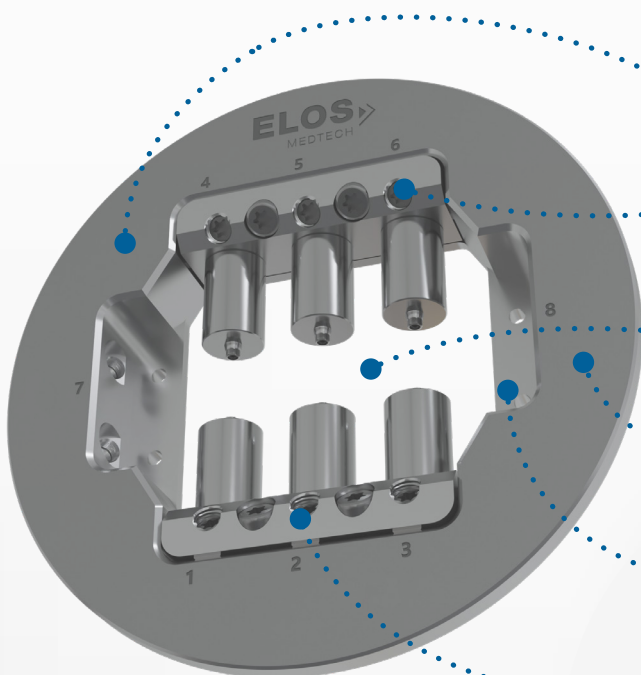
Compliant with FDA and MDR regulations

# Elos Accurate® Pre-Milled Blank Holder

## Application

- The Elos Pre-Milled holder is mandatory for attaching the Elos Accurate® Pre-Milled blanks and ensure safe and vibration-free processing.
- It allows up to 6 different implant platforms in one operation.
- It features a high-quality stainless-steel design.

## Features



### MODULAR HOLDER CONSTRUCTION

Easy to assemble, easy to clean and easy to replace.

### ONE-TOOL-CONCEPT

Simplifies assembly by using the same driver interface (TORX20).

### LARGE PROCESSING AREA

More freedom of movement and easier assembly of Pre-Milled Blanks even with long tubular implant connections.

### STABLE HOLDER DESIGN

20mm height instead of standard 16mm prevents deformation.

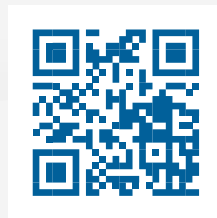
### FUTURE-PROOFED AND CUSTOMIZABLE

Easy holder upgrade for additional material options or individual customization possible.

### EMBEDDED SET-SCREWS

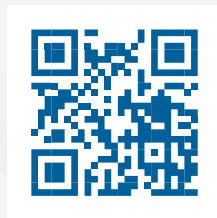
Prevent loosening of screws from the module by vibration or assembly.

WATCH VIDEO



Technical guide

WATCH VIDEO



Product insight

COMPATIBLE TO:  
Ankylos®

DAN

3.5–7.0

### Elos Accurate® Scan Body

**Material:** Titanium seating and PEEK in scanning area for optimal scanning results without spraying.

**Screwdriver:** C18512, C13485 or C13048. See last pages.

**Torque Value:** Hand-torque until stable. No more than 5 Ncm.

Previously marked with SA.



IO 8B-A

### Elos Accurate® Analog for Printed Models

1-piece analog for printed model.

**Analog tools:** PMA-AIT-1, PMA-AIP-2 and PMA-AIS-5. See last pages.



PMA-DAN35/70-1

COMPATIBLE TO:

**Ankylos® Balance Base Abutment**

DBA

**Elos Accurate® Scan Body**

**Material:** Titanium seating and PEEK in scanning area for optimal scanning results without spraying.

**Screwdriver:** C18512, C13485 or C13048. See last pages.

**Torque Value:** Hand-torque until stable. No more than 5 Ncm.

BB NP



IO 8C-A

**Elos Accurate® Analog for Printed Models**

1-piece analog for printed model.

**Analog tools:** PMA-AIT-1, PMA-AIP-2 and PMA-AIS-5. See last pages.



PMA-DBA40-1

**Elos Accurate® Hybrid Base™ Non-Engaging**

Titanium Hybrid Base for screw-retained bridge restorations.



**Torque Value:** 10 Ncm



Gingival height	0.6 mm
Margin diameter	5.0 mm
Chimney height	4.1 mm

HBN-DBA40-1

**Elos Accurate® Hybrid Base H™ Non-Engaging**

Titanium Hybrid Base for screw-retained bridge restorations.



**Torque Value:** 10 Ncm



Gingival height	0.3 mm
Margin diameter	4.4 mm
Chimney height	4.5 mm

HBN-DBA40H-1

**Elos Prosthetic Screw**

Prosthetic screw with M1.6 thread.

**Screwdriver:** 1.0 mm Hex screwdriver

**Torque Value:** 10 Ncm



AS-DBAM1605POS

**Elos Accurate® Hexalobular Prosthetic Screw**

Prosthetic screw with M1.6 thread.

**Screwdriver:** PS-AH18-1, PS-AH26-1 or PS-AH34-1, see last pages.

**Torque Value:** 10 Ncm



AS-DBAM1605A-1



Must be mounted with Elos Prosthetic Screw or Elos Accurate Hexalobular Prosthetic Screw  
SCREWS NOT INCLUDED

COMPATIBLE TO:

Astra Tech TX

ATO

**Elos Accurate® Scan Body**

**Material:** Titanium seating and PEEK in scanning area for optimal scanning results without spraying.

**Screwdriver:** C18512, C13485 or C13048. See last pages.

**Torque Value:** Hand-torque until stable. No more than 5 Ncm.

Previously marked with SA.

3.0



IO 3A-A

3.5 / 4.0



IO 3A-B

4.5 / 5.0



IO 3A-C

**Elos Accurate® Analog for Printed Models**

1-piece analog for printed model.

**Analog tools:** PMA-AIT-1, PMA-AIP-2 and PMA-AIS-5. See last pages.



PMA-ATO30-1



PMA-ATO35-1



PMA-ATO45-1

**Elos Accurate® Hybrid Base™ Engaging**

Titanium Hybrid Base for screw-retained single restorations and cement-retained single and bridge restorations.

**Torque Value:**  
 Ø3.0: 15 Ncm,  
 Ø3.5/4.0: 20 Ncm,  
 Ø4.5/5.0: 25 Ncm



HBE-ATO30-1



HBE-ATO35/40-1



HBE-ATO45/50-1

Gingival height	0.9 mm	0.5 mm	0.7 mm
-----------------	--------	--------	--------

Margin diameter	3.4 mm	3.7 mm	4.5 mm
-----------------	--------	--------	--------

Chimney height	3.0 mm	3.0 mm	3.0 mm
----------------	--------	--------	--------

**Elos Accurate® Hybrid Base H™ Engaging**

Titanium Hybrid Base for screw-retained single restorations and cement-retained single and bridge restorations.

**Torque Value:**  
 Ø3.0: 15 Ncm,  
 Ø3.5/4.0: 20 Ncm,  
 Ø4.5/5.0: 25 Ncm



HBE-ATO35/40H-1



HBE-ATO45/50H-1

Gingival height	0.7 mm	0.9 mm
-----------------	--------	--------

Margin diameter	3.7 mm	4.5 mm
-----------------	--------	--------

Chimney height	5.5 mm	5.5 mm
----------------	--------	--------

**Elos Accurate® Pre-Milled Blank**

Pre-Milled Blank in titanium grade 5 for custom abutment restoration. For use with the Elos Accurate Pre-Milled Blank Holder.

**Torque Value:**  
 Ø3.5: 20 Ncm,  
 Ø4.5: 25 Ncm



PMB-ATO35-1



PMB-ATO45-1

**Elos Prosthetic Screw**

Prosthetic screw with M1.4, M1.6 or M2 thread.

**Screwdriver:** 0.050" Hex screwdriver

**Torque Value:**  
 Ø3.0: 15 Ncm,  
 Ø3.5/4.0: 20 Ncm,  
 Ø4.5/5.0: 25 Ncm



AS-ATOM148POS



AS-ATOM168POS



AS-ATOM2010POS

**Elos Accurate® Hexalobular Prosthetic Screw**

Prosthetic screw with M1.4, M1.6 or M2 thread.

**Screwdriver:** PS-AH18-1, PS-AH26-1 or PS-AH34-1, see last pages.

**Torque Value:**  
 Ø3.0: 15 Ncm,  
 Ø3.5/4.0: 20 Ncm,  
 Ø4.5/5.0: 25 Ncm



AS-ATOM1408A-1



AS-ATOM1608A-1



AS-ATOM2010A-1



Must be mounted with Elos Prosthetic Screw or Elos Accurate Hexalobular Prosthetic Screw  
 SCREWS NOT INCLUDED



Must be mounted with Elos Accurate Prosthetic Screw  
 SCREWS INCLUDED

COMPATIBLE TO:

## Astra Tech UniAbutment

ATU

## Elos Accurate® Scan Body

**Material:** Titanium seating and PEEK in scanning area for optimal scanning results without spraying.

**Screwdriver:** C18512, C13485 or C13048. See last pages.

**Torque Value:** Hand-torque until stable. No more than 5 Ncm.

20°



IO 3D-B

45°



IO 3D-C

## Elos Accurate® Analog for Printed Models

1-piece analog for printed model.

**Analog tools:** PMA-AIT-1, PMA-AIP-2 and PMA-AIS-5. See last pages.



PMA-ATU20-1



PMA-ATU45-1

## Elos Accurate® Hybrid Base™ Non-Engaging

Titanium Hybrid Base for screw-retained bridge restorations.

**Torque Value:** 15 Ncm



HBN-ATU20-1



HBN-ATU45-1

Gingival height	1.5 mm	1.0 mm
Margin diameter	5.0 mm	5.0 mm
Chimney height	4.1 mm	4.1 mm

## Elos Accurate® Hybrid Base H™ Non-Engaging

Titanium Hybrid Base for screw-retained bridge restorations.

**Torque Value:** 15 Ncm



HBN-ATU20H-1

Gingival height	0.3 mm
Margin diameter	4.0 mm
Chimney height	4.5 mm

## Elos Accurate® Hexalobular Prosthetic Screw

Prosthetic screw with M1.4 thread.

**Screwdriver:** PS-AH18-1, PS-AH26-1 or PS-AH34-1, see last pages.

**Torque Value:** 15 Ncm



AS-ATUM1405A-1



AS-ATUM1405A-1



Must be mounted with Elos Prosthetic Screw or Elos Accurate Hexalobular Prosthetic Screw  
SCREWS NOT INCLUDED

COMPATIBLE TO:

Astra Tech EV

ATE

3.0

3.6

4.2

4.8

5.4



IO 3B-A

IO 3B-B

IO 3B-C

IO 3B-D

IO 3B-E

### Elos Accurate® Scan Body

**Material:** Titanium seating and PEEK in scanning area for optimal scanning results without spraying.

**Screwdriver:** C18512, C13485 or C13048. See last pages.

**Torque Value:** Hand-torque until stable. No more than 5 Ncm.

Previously marked with SA.



PMA-ATE30-1

PMA-ATE36-1

PMA-ATE42-1

PMA-ATE48-1

PMA-ATE54-1

### Elos Accurate® Analog for Printed Models

1-piece analog for printed model.

**Analog tools:** PMA-AIT-1, PMA-AIP-2 and PMA-AIS-5. See last pages.



HBE-ATE30-1

HBE-ATE36-1

HBE-ATE42-1

HBE-ATE48-1

HBE-ATE54-1

### Elos Accurate® Hybrid Base™ Engaging

Titanium Hybrid Base for screw-retained single restorations and cement-retained single and bridge restorations.

**Torque Value:** 25 Ncm



Gingival height	1.0 mm	1.0 mm	1.0 mm	1.0 mm	1.0 mm
Margin diameter	3.7 mm	3.7 mm	4.5 mm	4.5 mm	5.0 mm
Chimney height	3.0 mm	3.0 mm	3.0 mm	3.0 mm	3.0 mm

### Elos Accurate® Hybrid Base H™ Engaging

Titanium Hybrid Base for screw-retained single restorations and cement-retained single and bridge restorations.

**Torque Value:** 25 Ncm



Gingival height	1.0 mm	1.0 mm	1.0 mm
Margin diameter	3.7 mm	4.5 mm	4.5 mm
Chimney height	5.5 mm	3.0 mm	3.0 mm

HBE-ATE36H-1

HBE-ATE42H-1

HBE-ATE48H-1

### Elos Accurate® Pre-Milled Blank

Pre-Milled Blank in titanium grade 5 for custom abutment restoration. For use with the Elos Accurate Pre-Milled Blank Holder.

**Torque Value:** 25 Ncm



PMB-ATE36-1

PMB-ATE42-1

PMB-ATE48-1

PMB-ATE54-1

### Elos Prosthetic Screw

Prosthetic screw with M1.4, M1.6, M1.8 and M2.0 thread.

**Screwdriver:** 0.050" Hex screwdriver

**Torque Value:** 25 Ncm



AS-ATEM148POS

AS-ATEM168POS

AS-ATEM188POS

AS-ATEM208POS

AS-ATEM208POS

### Elos Accurate® Hexalobular Prosthetic Screw

Prosthetic screw with M1.4, M1.6 and M1.8 thread.

**Screwdriver:** PS-AH18-1, PS-AH26-1 or PS-AH34-1, see last pages.

**Torque Value:** 25 Ncm



AS-ATEM1408A-1

AS-ATEM1608A-1

AS-ATEM1808A-1

AS-ATEM2008A-1

AS-ATEM2008A-1



Must be mounted with Elos Prosthetic Screw or Elos Accurate Hexalobular Prosthetic Screw  
SCREWS NOT INCLUDED



Must be mounted with Elos Accurate Prosthetic Screw  
SCREWS INCLUDED



COMPATIBLE TO:

Astra Tech Profile EV

ATE-P

4.2

5.4

**Elos Accurate® Scan Body**

**Material:** Titanium seating and PEEK in scanning area for optimal scanning results without spraying.

**Screwdriver:** C18512, C13485 or C13048. See last pages.

**Torque Value:** Hand-torque until stable. No more than 5 Ncm.

Previously marked with SA.



IO 3C-A

IO 3C-B

**Elos Accurate® Analog for Printed Models**

1-piece analog for printed model.

**Analog tools:** PMA-AIT-1, PMA-AIP-2 and PMA-AIS-5. See last pages.



PMA-ATE42P-1

PMA-ATE48P-1

COMPATIBLE TO:

## Astra Tech UniAbutment EV/Multibase EV

AUE

MUA

## Elos Accurate® Scan Body

**Material:** Titanium seating and PEEK in scanning area for optimal scanning results without spraying.

**Screwdriver:** C18512, C13485 or C13048. See last pages.

**Torque Value:** Hand-torque until stable. No more than 5 Ncm.

UA 33°



IO 3D-A

4.5



IO 2C-A

## Elos Accurate® Analog for Printed Models

1-piece analog for printed model.

**Analog tools:** PMA-AIT-1, PMA-AIP-2 and PMA-AIS-5. See last pages.



PMA-AUE33-1



PMA-MUA45-1

## Elos Accurate® Hybrid Base™ Non-Engaging

Titanium Hybrid Base screw for screw-retained bridge restorations.

**Torque Value:** 15 Ncm



Gingival height	1.0 mm	0.9 mm
Margin diameter	5.0 mm	5.0 mm
Chimney height	4.1 mm	4.1 mm

HBN-AUE33-1

HBN-MUA45-1

## Elos Accurate® Hybrid Base H™ Non-Engaging

Titanium Hybrid Base for screw-retained bridge restorations.

**Torque Value:** 15 Ncm



Gingival height	0.3 mm	0.3 mm
Margin diameter	4.1 mm	5.0 mm
Chimney height	4.5 mm	4.5 mm

HBN-AUE33H-1

HBN-MUA45H-1

## Elos Accurate® Hexalobular Prosthetic Screw

Prosthetic screw with M1.8 thread.

**Screwdriver:** PS-AH18-1, PS-AH26-1 or PS-AH34-1, see last pages.

**Torque Value:** 15 Ncm



AS-AUEM1805A-1



AS-MUAM1403A-1

## Elos Prosthetic Screw

Prosthetic screw with M1.6, M2 and M2.5 thread

**Screwdriver:** Nobel Biocare Unigrip

**Torque Value:** 35 Ncm



AS-MUAM1403POS



COMPATIBLE TO:  
**Xive®**

DXI

### Elos Accurate® Scan Body

**Material:** Titanium seating and PEEK in scanning area for optimal scanning results without spraying.

**Screwdriver:** C18512, C13485 or C13048. See last pages.

**Torque Value:** Hand-torque until stable. No more than 5 Ncm.

\* IO 8A-A used to be purple.

3.0	3.4	3.8	4.5	5.5
				
IO 8A-A*	IO 8A-B	IO 8A-C	IO 8A-D	IO 8A-D
				
PMA-DXI30-1	PMA-DXI34-1	PMA-DXI38-1	PMA-DXI45-1	PMA-DXI55-1

### Elos Accurate® Analog for Printed Models

1-piece analog for printed model.

**Analog tools:** PMA-AIT-1, PMA-AIP-2 and PMA-AIS-5. See last pages.

COMPATIBLE TO:

ET

HET

**Elos Accurate® ScanBody**

**Material:** Titanium seating and PEEK in scanning area for optimal scanning results without spraying.

**Screwdriver:** C18512, C13485 or C13048. See last pages.

**Torque Value:** Hand-torque until stable. No more than 5 Ncm.

Previously marked with SA.

M 3.2



IO 12A-A

M 3.5



IO 12A-A

R 4.5



IO 12A-B

**Elos Accurate® Analog for Printed Models**

1-piece analog for printed model.

**Analog tools:** PMA-AIT-1, PMA-AIP-2 and PMA-AIS-5. See last pages.



PMA-HET32-1



PMA-HET35-1



PMA-HET45-1

**Elos Accurate® Hybrid Base™ Engaging**

Titanium Hybrid Base for screw-retained single restorations and cement-retained single and bridge restorations.

**Torque Value:**  
Ø3.0: 15 Ncm,  
NP, RP, WP: 35 Ncm



HBE-HET35-1



HBE-HET35-1



HBE-HET45-1

Gingival height	3.0 mm	3.0 mm	3.0 mm
Margin diameter	3.7 mm	3.7 mm	4.5 mm
Chimney height	3.0 mm	3.0 mm	3.0 mm

**Elos Accurate® Hybrid Base H™ Engaging**

Titanium Hybrid Base for screw-retained single restorations and cement-retained single and bridge restorations.

**Torque Value:**  
35 Ncm



HBE-HET35H-1



HBE-HET35H-1



HBE-HET45H-1

Gingival height	3.0 mm	3.0 mm	3.0 mm
Margin diameter	3.7 mm	3.7 mm	4.5 mm
Chimney height	5.5 mm	5.5 mm	5.5 mm

**Elos Accurate® Hybrid Base H™ Non-Engaging**

Titanium Hybrid Base screw for screw-retained bridge restorations.

**Torque Value:** 35 Ncm



HBN-HET35H-1



HBN-HET35H-1



HBN-HET45H-1

Gingival height	3.0 mm	3.0 mm	3.0 mm
Margin diameter	3.0 mm	3.0 mm	4.2 mm
Chimney height	5.0 mm	5.0 mm	5.0 mm

**Elos Accurate® Pre-Milled Blank**

Pre-Milled Blank in titanium grade 5 for custom abutment restoration. For use with the Elos Accurate Pre-Milled Blank Holder.

**Torque Value:** 25 Ncm



PMB-HET35-1



PMB-HET35-1



PMB-HET-45-1

**Elos Prosthetic Screw**

Prosthetic screw with M1.4, M1.6 or M2 thread.

**Screwdriver:** 0.050" Hex screwdriver

**Torque Value:**  
Ø3.0: 15 Ncm,  
Ø3.5/4.0: 20 Ncm,  
Ø4.5/5.0: 25 Ncm



AS-HETM1610POS



AS-HETM1610POS



AS-HETM2008POS

**Elos Accurate® Hexalobular Prosthetic Screw**

Prosthetic screw with M1.4, M1.6 or M2 thread.

**Screwdriver:** PS-AH18-1, PS-AH26-1 or PS-AH34-1, see last pages.

**Torque Value:**  
Ø3.0: 15 Ncm,  
Ø3.5/4.0: 20 Ncm,  
Ø4.5/5.0: 25 Ncm



AS-HETM1610A-1



AS-HETM1610A-1



AS-HETM2008A-1



COMPATIBLE TO:  
Neoss®

NIS

NAC

### Access Abutment

### Implant System

#### Elos Accurate® Scan Body

**Material:** Titanium seating and PEEK in scanning area for optimal scanning results without spraying.

**Screwdriver:** C18512, C13485 or C13048. See last pages.

**Torque Value:** Hand-torque until stable. No more than 5 Ncm.



IO 1B-A

3.25



IO 1A-B

3.5 - 5.5



IO 1A-A

#### Elos Accurate® Analog for Printed Models

1-piece analog for printed model.

**Analog tools:** PMA-AIT-1, PMA-AIP-2 and PMA-AIS-5. See last pages.



PMA-NAC40-1



PMA-NIS33-1



PMA-NIS35/55-1

COMPATIBLE TO:

# NEODENT Grand Morse/Micro Abutment/MINI Abutment



NGM	NGA	MUA
3.5 4.5 5.5	3.5	4.5
IO 13A-A	IO 13A-B	IO 2C-A
PMA-NGM35-1	PMA-NGA35-1	PMA-MUA45-1

### Elos Accurate® Scan Body

**Material:** Titanium seating and PEEK in scanning area for optimal scanning results without spraying.

**Screwdriver:** C18512, C13485 or C13048. See last pages.

**Torque Value:** Hand-torque until stable. No more than 5 Ncm.

### Elos Accurate® Analog for Printed Models

1-piece analog for printed model.

**Analog tools:** PMA-AIT-1, PMA-AIP-2 and PMA-AIS-5. See last pages.

### Elos Accurate® Hybrid Base™ Engaging

Titanium Hybrid Base for screw-retained single restorations and cement-retained single and bridge restorations.

**Torque Value:** Ø3.0: 15 Ncm, NP, RP, WP: 35 Ncm



Gingival height	3.0 mm
Margin diameter	4.5 mm
Chimney height	3.0 mm

HBE-NGM45-1

### Elos Accurate® Hybrid Base H™ Engaging

Titanium Hybrid Base for screw-retained single restorations and cement-retained single and bridge restorations.

**Torque Value:** 35 Ncm



Gingival height	3.0 mm
Margin diameter	4.5 mm
Chimney height	5.5 mm

HBN-NGM45H-1

### Elos Accurate® Hybrid Base™ Non-Engaging

Titanium Hybrid Base screw for screw-retained bridge restorations.

**Torque Value:** 35 Ncm



Gingival height	0.9 mm	0.3 mm
Margin diameter	5.0 mm	3.8 mm
Chimney height	4.1 mm	4.5 mm

HBN-NGA35-1

HBN-MUA45-1

### Elos Accurate® Hybrid Base H™ Non-Engaging

Titanium Hybrid Base screw for screw-retained bridge restorations.

**Torque Value:** 35 Ncm



Gingival height	2.5 mm	0.3 mm	0.3 mm
Margin diameter	4.5 mm	3.8 mm	5.0 mm
Chimney height	5.0 mm	4.5 mm	4.5 mm

HBN-NGM45H-1

HBN-NGA35H-1

HBN-MUA45H-1

### Elos Accurate® Pre-Milled Blank

Pre-Milled Blank in titanium grade 5 for custom abutment restoration. For use with the Elos Accurate Pre-Milled Blank Holder.

**Torque Value:** 25 Ncm



PMB-NGM45-1

### Elos Prosthetic Screw

Prosthetic screw with M1.4, M1.6 or M2 thread.

**Screwdriver:** 0.050" Hex screwdriver

**Torque Value:** Ø3.0: 15 Ncm, Ø3.5/4.0: 20 Ncm, Ø4.5/5.0: 25 Ncm



AS-NGMM1610POS	AS-MUAM1403POS	AS-MUAM1403POS

### Elos Accurate® Hexalobular Prosthetic Screw

Prosthetic screw with M1.4, M1.6 or M2 thread.

**Screwdriver:** PS-AH18-1, PS-AH26-1 or PS-AH34-1, see last pages.

**Torque Value:** Ø3.0: 15 Ncm, Ø3.5/4.0: 20 Ncm, Ø4.5/5.0: 25 Ncm



AS-NGMM1610A-1	AS-MUAM1403A-1	AS-MUAM1403A-1

# Welcome to the family

- more Elos Accurate® Hybrid Base™ products to choose from



<b>DENTSPLY SIRONA</b> MultiBase EV	MUA	4.5			HBN-MUA45-1	HBN-MUA45H-1
<b>HIOSSSEN</b> ET	HET	3.2-3.5 4.5	HBE-HET35-1 HBE-HET45-1	HBE-HET35H-1 HBE-HET45H-1		HBN-HET35H-1 HBN-HET45H-1
<b>NEODENT</b> Grand Morse	NGM	3.5-5.5	HBE-NGM45-1	HBE-NGM45H-1		HBN-NGM45H-1
Grand Morse Micro Abutment	NGA	3.5			HBN-NGA35-1	HBN-NGA35H-1
Grand Morse Mini Abutment	MUA	4.5			HBN-MUA45-1	HBN-MUA45H-1
<b>STRAUMANN</b> BLX	SBX	4.5 + 6.5	HBE-SBX45-1	HBE-SBX45H-1	HBN-SBX45-1	HBN-SBX45H-1
<b>ZIMVIE</b> Low Profile Abutment	MUA	4.5			HBN-SBX45H-1	HBN-MUA45H-1

COMPATIBLE TO:

Brånemark System

BRA

NP



IO 6A-A

RP



IO 6A-B

WP



IO 6A-C

### Elos Accurate® Scan Body

**Material:** Titanium seating and PEEK in scanning area for optimal scanning results without spraying.

**Screwdriver:** C18512, C13485 or C13048. See last pages.

**Torque Value:** Hand-torque until stable. No more than 5 Ncm.

### Elos Accurate® Analog for Printed Models

1-piece analog for printed model.

**Analog tools:** PMA-AIT-1, PMA-AIP-2 and PMA-AIS-5. See last pages.



PMA-BRA35-1



PMA-BRA41-1



PMA-BRA51-1

### Elos Accurate® Hybrid Base™ Engaging

Titanium Hybrid Base for screw-retained single restorations and cement-retained single and bridge restorations.

**Torque Value:** 35 Ncm



HBE-BRA35-1



HBE-BRA41-1



HBE-BRA51-1

Gingival height	0.9 mm	0.9 mm	0.7 mm
Margin diameter	3.7 mm	4.5 mm	4.5 mm
Chimney height	3.0 mm	3.0 mm	3.0 mm

### Elos Accurate® Hybrid Base H™ Engaging

Titanium Hybrid Base for screw-retained single restorations and cement-retained single and bridge restorations.

**Torque Value:** 35 Ncm



HBE-BRA41H-1

Gingival height	0.75 mm
Margin diameter	4.5 mm
Chimney height	5.5 mm

### Elos Accurate® Hybrid Base™ Non-Engaging

Titanium Hybrid Base screw for screw-retained bridge restorations.

**Torque Value:** 35 Ncm



HBN-BRA35-1



HBN-BRA41-1



HBN-BRA51-1

Gingival height	1.8 mm	1.0 mm	1.0 mm
Margin diameter	5.0 mm	5.0 mm	5.7 mm
Chimney height	4.1 mm	4.1 mm	4.1 mm

### Elos Accurate® Hybrid Base H™ Non-Engaging

Titanium Hybrid Base for screw-retained bridge restorations.

**Torque Value:** 35 Ncm



HBN-BRA41H-1

Gingival height	0.3 mm
Margin diameter	4.4 mm
Chimney height	4.5 mm

### Elos Accurate® Pre-Milled Blank

Pre-Milled Blank in titanium grade 5 for custom abutment restoration. For use with the Elos Accurate Pre-Milled Blank Holder.

**Torque Value:** 35 Ncm



PMB-BRA35-1



PMB-BRA41-1



PMB-BRA51-1



Must be mounted with Elos Prosthetic Screw or Elos Accurate Hexalobular Prosthetic Screw  
SCREWS NOT INCLUDED



Must be mounted with Elos Accurate Prosthetic Screw  
SCREWS INCLUDED



COMPATIBLE TO:

**Brånemark System**

BRA

NP

RP

WP

**Elos Prosthetic Screw**

Prosthetic screw with M1.6, M2 and M2.5 thread

**Screwdriver:** Nobel Biocare Unigrip**Torque Value:** 35 Ncm

AS-BRAM167POS

AS-BRAM207POS

AS-BRAM257POS

**Elos Accurate® Hexalobular Prosthetic Screw**

Prosthetic screw with M1.6, M2 and M2.5 thread

**Screwdriver:** PS-AH18-1, PS-AH26-1 or PS-AH34-1, see last pages.**Torque Value:** 35 Ncm

AS-BRAM1607A-1

AS-BRAM2007A-1

AS-BRAM2507A-1

COMPATIBLE TO:

## Nobel Biocare® Multi-Unit Abutment

MUA

NR/RP

WP

## Elos Accurate® Scan Body

**Material:** Titanium seating and PEEK in scanning area for optimal scanning results without spraying.

**Screwdriver:** C18512, C13485 or C13048. See last pages.

**Torque Value:** Hand-torque until stable. No more than 5 Ncm.



IO 2C-A



IO 2C-B

## Elos Accurate® Analog for Printed Models

1-piece analog for printed model.

**Analog tools:** PMA-AIT-1, PMA-AIP-2 and PMA-AIS-5. See last pages.



PMA-MUA45-1



PMA-MUA60-1

## Elos Accurate® Hybrid Base™ Non-Engaging

Titanium Hybrid Base for screw-retained bridge restorations.

**Torque Value:** 15 Ncm



HBN-MUA45-1



HBN-MUA60-1

Gingival height	0.9 mm	1.2 mm
Margin diameter	5.0 mm	5.7 mm
Chimney height	4.1 mm	4.1 mm

## Elos Accurate® Hybrid Base H™ Non-Engaging

Titanium Hybrid Base for screw-retained bridge restorations.

**Torque Value:** 15 Ncm



HBN-MUA45H-1

Gingival height	0.3 mm
Margin diameter	5.0 mm
Chimney height	4.5 mm

## Elos Accurate® Hexalobular Prosthetic Screw

Prosthetic screw with M1.4 and M2 thread.

**Screwdriver:** Nobel Biocare® Unigrip

**Torque Value:** 15 Ncm



AS-MUAM1403POS



AS-MUAM1804POS

## Elos Accurate® Hexalobular Prosthetic Screw

Prosthetic screw with M1.4 and M2 thread

**Screwdriver:** PS-AH18-1, PS-AH26-1 or PS-AH34-1, see last pages.

**Torque Value:** 15 Ncm



AS-MUAM1403A-1

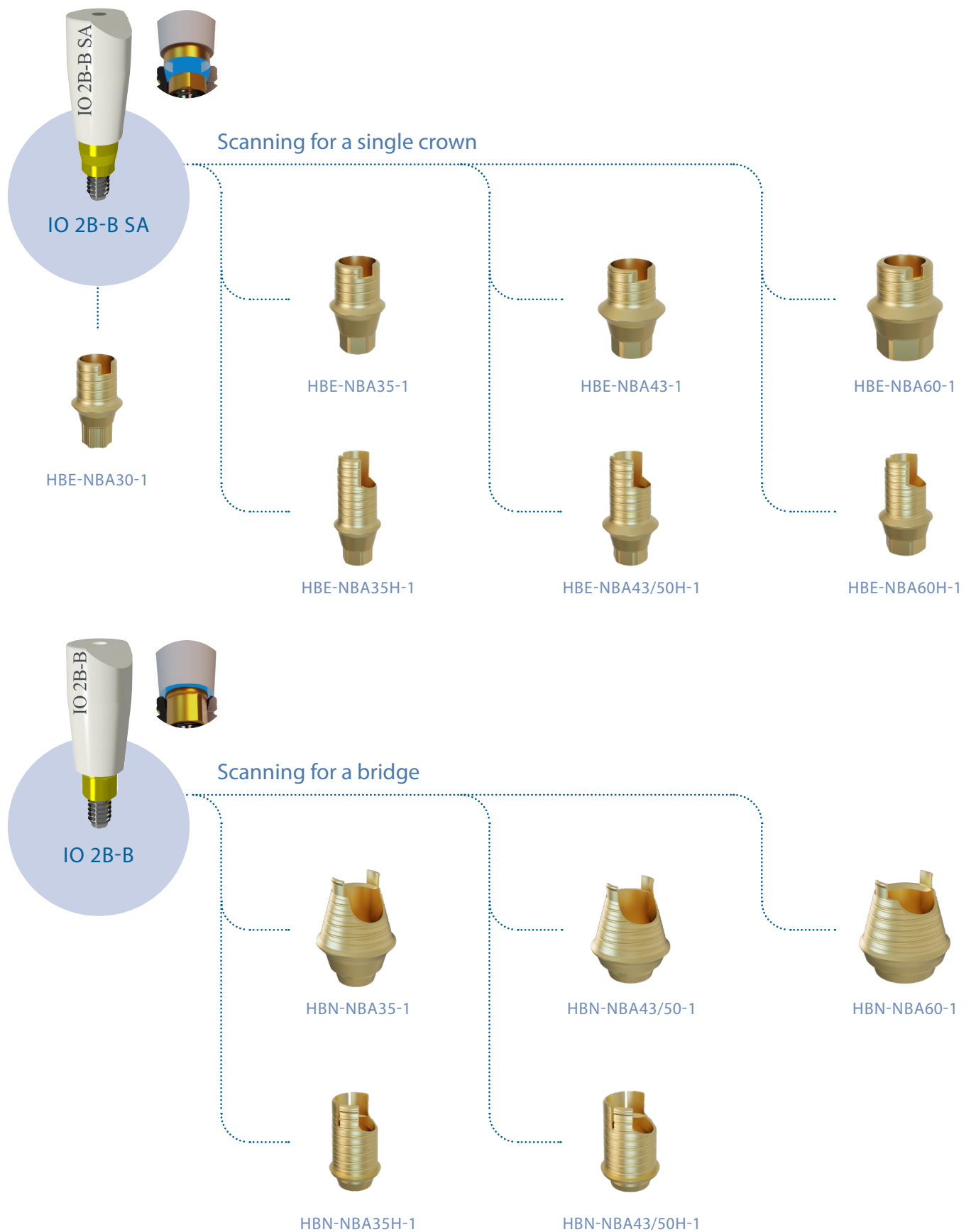


AS-MUAM1804A-1



Must be mounted with Elos Prosthetic Screw or Elos Accurate Hexalobular Prosthetic Screw  
SCREWS NOT INCLUDED

# Nobel Conical Connection and NobelActive® Elos Accurate® Scan Body (PEEK)



COMPATIBLE TO:  
**Nobel Conical Connection and NobelActive®**



3.0 3.5/3.75 NP 4.3/5.0 RP 5.5 WP

**Elos Accurate® Scan Body**

**Material:** Titanium seating and PEEK in scanning area for optimal scanning results without spraying.

**Screwdriver:** C18512, C13485 or C13048. See last pages.

**Torque Value:** Hand-torque until stable. No more than 5 Ncm.

IO 2B-D IO 2B-D SA	IO 2B-A IO 2B-A SA	IO 2B-B IO 2B-B SA	IO 2B-C IO 2B-C SA
PMA-NBA30-1	PMA-NBA35-1	PMA-NBA43-1	PMA-NBA60-1

**Elos Accurate® Analog for Printed Models**

1-piece analog for printed model.

**Analog tools:** PMA-AIT-1, PMA-AIP-2 and PMA-AIS-5. See last pages.

**Elos Accurate® Hybrid Base™ Engaging**

Titanium Hybrid Base for screw-retained single restorations and cement-retained single and bridge restorations.

**Torque Value:**  
 Ø3.0: 15 Ncm,  
 NP, RP, WP: 35 Ncm



Gingival height	0.5 mm	0.9 mm	0.9 mm
Margin diameter	3.4 mm	3.7 mm	4.5 mm
Chimney height	3.0 mm	3.0 mm	3.0 mm
	HBE-NBA30-1	HBE-NBA35-1	HBE-NBA43-1
			HBE-NBA60-1

**Elos Accurate® Hybrid Base H™ Engaging**

Titanium Hybrid Base for screw-retained single restorations and cement-retained single and bridge restorations.

**Torque Value:**  
 35 Ncm



Gingival height	0.9 mm	0.9 mm
Margin diameter	3.7 mm	4.5 mm
Chimney height	5.5 mm	5.5 mm
	HBE-NBA35H-1	HBE-NBA43/50H-1
		HBE-NBA60H-1

**Elos Accurate® Hybrid Base™ Non-Engaging**

Titanium Hybrid Base screw for screw-retained bridge restorations.

**Torque Value:** 35 Ncm



Gingival height	1.8 mm	1.0 mm
Margin diameter	5.0 mm	5.0 mm
Chimney height	4.1 mm	4.1 mm
	HBN-NBA35-1	HBN-NBA43/50-1
		HBN-NBA60-1

**Elos Accurate® Hybrid Base H™ Non-Engaging**

Titanium Hybrid Base screw for screw-retained bridge restorations.

**Torque Value:** 35 Ncm



Gingival height	0.3 mm
Margin diameter	3.6 mm
Chimney height	5.0 mm
	HBN-NBA35H-1
	HBN-NBA43/50H-1

COMPATIBLE TO:

## Nobel Conical Connection and NobelActive®

NBA

3.0

3.5/3.75 NP

4.3/5.0 RP

5.5 WP

## Elos Accurate® Pre-Milled Blank

Pre-Milled Blank in titanium grade 5 for custom abutment restoration. For use with the Elos Accurate Pre-Milled Holder.

## Torque Value:

Ø3.0: 15 Ncm,  
NP, RP, WP: 35 Ncm



PMB-NBA30-1



PMB-NBA35-1



PMB-NBA43-1



PMB-NBA60-1

## Elos Prosthetic Screw

Prosthetic screw with M1.4, M1.6 and M2 thread

Screwdriver: Nobel Biocare Unigrip

## Torque Value:

Ø3.0: 15 Ncm,  
all other 35 Ncm



AS-NBAM1407POS



AS-NBAM168POS



AS-NBAM207POS



AS-NBAM207POS

## Elos Accurate® Hexalobular Prosthetic Screw

Prosthetic screw with M1.4, M1.6 and M2 thread

Screwdriver: PS-AH18-1,  
PS-AH26-1 or PS-AH34-1,  
see last pages.

## Torque Value:

Ø3.0: 15 Ncm,  
all other 35 Ncm



AS-NBAM1407A-1



AS-NBAM1608A-1



AS-NBAM2007A-1



AS-NBAM2007A-1

COMPATIBLE TO:

# NobelReplace and Replace Select™



3.5 NP

4.3 RP

5.0 WP

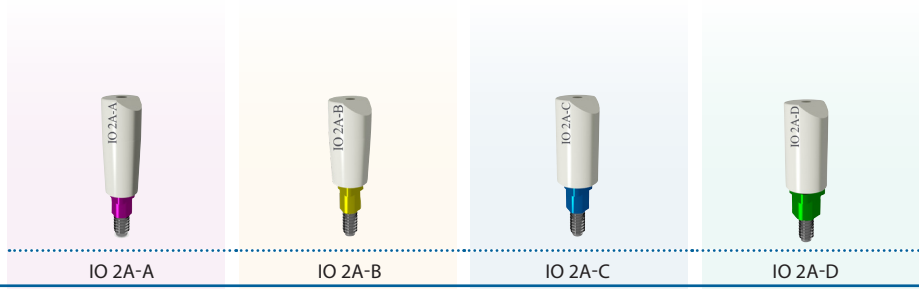
6.0

## Elos Accurate® Scan Body

**Material:** Titanium seating and PEEK in scanning area for optimal scanning results without spraying.

**Screwdriver:** C18512, C13485 or C13048. See last pages.

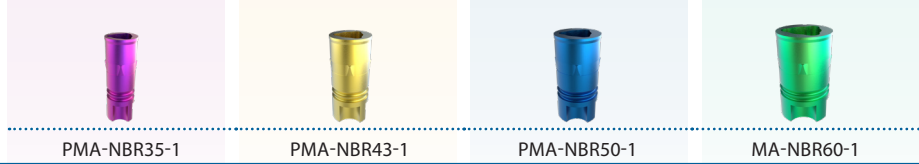
**Torque Value:** Hand-torque until stable. No more than 5 Ncm.



## Elos Accurate® Analog for Printed Models

1-piece analog for printed model.

**Analog tools:** PMA-AIT-1, PMA-AIP-2 and PMA-AIS-5. See last pages.



## Elos Accurate® Hybrid Base™ Engaging

Titanium Hybrid Base for screw-retained single restorations and cement-retained single and bridge restorations.



**Torque Value:** 35 Ncm

Gingival height	0.5 mm	0.1 mm	0.2 mm	0.4 mm
Margin diameter	4.5 mm	4.5 mm	5.0 mm	6.0 mm
Chimney height	3.0 mm	3.0 mm	3.0 mm	3.0 mm
	HBE-NBR35-1	HBE-NBR43-1	HBE-NBR50-1	HBE-NBR60-1

## Elos Accurate® Hybrid Base H™ Engaging

Titanium Hybrid Base for screw-retained single restorations and cement-retained single and bridge restorations.



**Torque Value:** 35 Ncm

Gingival height	0.5 mm	0.1 mm
Margin diameter	4.5 mm	4.5 mm
Chimney height	5.5 mm	5.5 mm
	HBE-NBR35H-1	HBE-NBR43H-1

## Elos Accurate® Hybrid Base™ Non-Engaging

Titanium Hybrid Base for screw-retained bridge restorations.



**Torque Value:** 35 Ncm

Gingival height	1.0 mm	0.6 mm	0.6 mm	0.8 mm
Margin diameter	5.0 mm	5.0 mm	5.7 mm	7.0 mm
Chimney height	4.1 mm	4.1 mm	4.1 mm	4.1 mm
	HBN-NBR35-1	HBN-NBR43-1	HBN-NBR50-1	HBN-NBR60-1

## Elos Accurate® Hybrid Base H™ Non-Engaging

Titanium Hybrid Base for screw-retained bridge restorations.



**Torque Value:** 35 Ncm

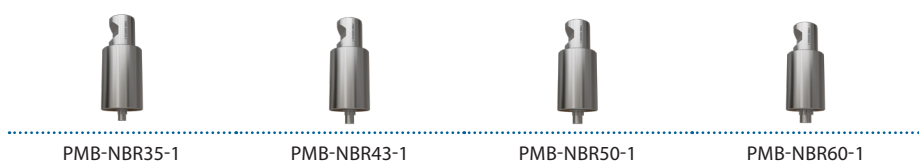
Gingival height	0.3 mm	0.3 mm
Margin diameter	3.7 mm	4.5 mm
Chimney height	5.5 mm	5.5 mm
	HBN-NBR35H-1	HBN-NBR43H-1

## Elos Accurate® Pre-Milled Blank

Pre-Milled Blank in titanium grade 5 for custom abutment restoration. For use with the Elos Accurate Pre-Milled Blank Holder.



**Torque Value:** 35 Ncm



COMPATIBLE TO:

NobelReplace® and Replace Select™

NBR

3.5 NP

4.3 RP

5.0 WP

6.0

**Elos Prosthetic Screw**

Prosthetic screw with M1.8 and M2 thread

Screwdriver: Nobel Biocare® Unigrip

Torque Value: 35 Ncm



AS-NBRM1808POS



AS-NBRM2010POS



AS-NBRM2010POS



AS-NBRM2010POS

**Elos Accurate® Hexalobular Prosthetic Screw**

Prosthetic screw with M1.8 and M2 thread

Screwdriver: PS-AH18-1, PS-AH26-1 or PS-AH34-1, see last pages.

Torque Value: 35 Ncm



AS-NBRM1808A-1



AS-NBRM2010A-1



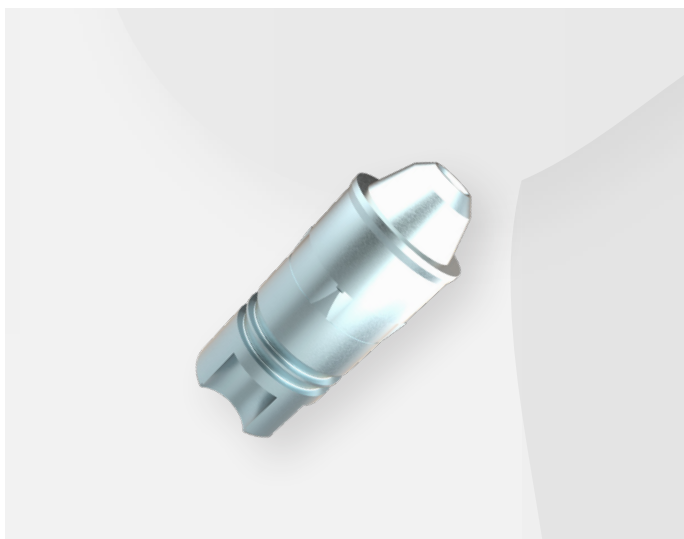
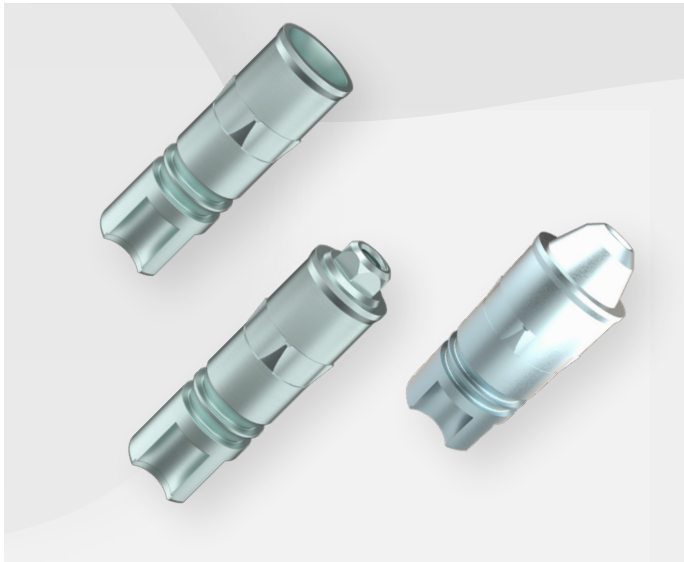
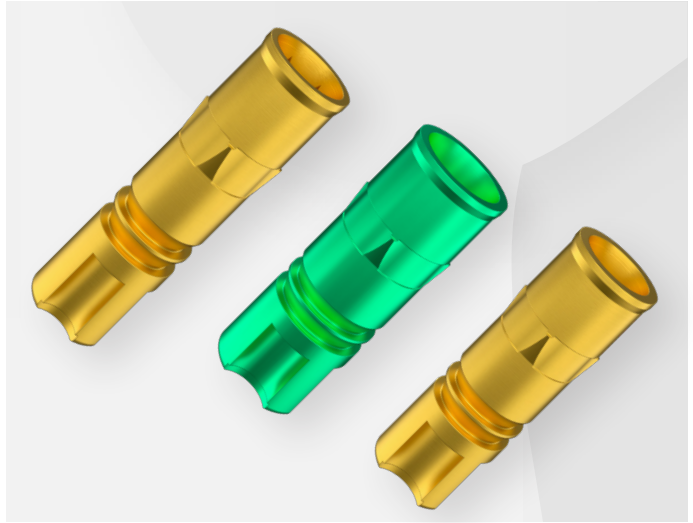
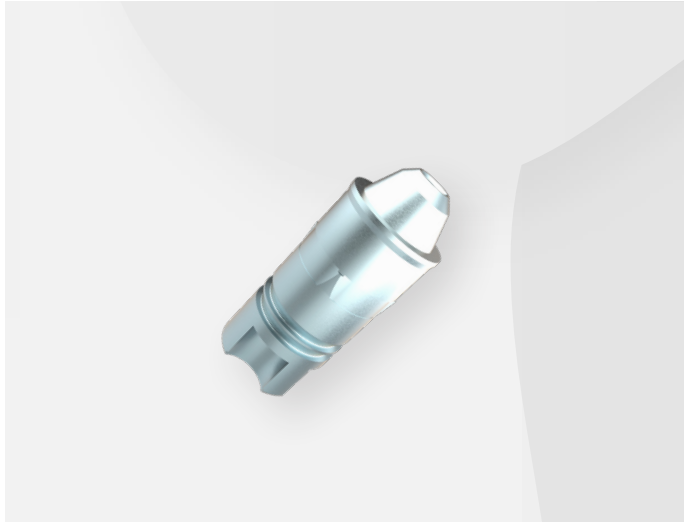
AS-NBRM2010A-1



AS-NBRM2010A-1

# Welcome to the family

- more Elos Accurate® Analog for Printed Models products to choose from



<b>DENTSPLY SIRONA</b> MultiBase EV	MUA	4.5	PMA-MUA45-1
<b>HIOSSEN</b> ET	HET	M3.2 M3.5 R4.5	PMA-HET32-1 PMA-HET35-1 PMA-HET45-1
<b>NEODENT</b> Grand Morse	NGM	3.5-5.5	PMA-NGM35-1
Grand Morse Micro Abutment	NGA	3.5	PMA-NGA35-1
Grand Morse Mini Abutment	MUA	4.5	PMA-MUA45-1
<b>STRAUMANN</b> BLX	SBX	4.5 6.5	PMA-SBX45-1 PMA-SBX65-1
<b>ZIMVIE</b> Low Profile Abutment	MUA	4.5	PMA-MUA45-1



COMPATIBLE TO:

**Straumann® Bone Level**

SBO

3.3 NC

4.1 / 4.8 RC

**Elos Accurate® Scan Body**

**Material:** Titanium seating and PEEK in scanning area for optimal scanning results without spraying.

**Screwdriver:** C18512, C13485 or C13048. See last pages.

**Torque Value:** Hand-torque until stable. No more than 5 Ncm.

Previously marked with SA and RC, used to be green.



IO 4A-A



IO 4A-B

**Elos Accurate® Analog for Printed Models**

1-piece analog for printed model.

**Analog tools:** PMA-AIT-1, PMA-AIP-2 and PMA-AIS-5. See last pages.



PMA-SBO33-1



PMA-SBO41-1

**Elos Accurate® Hybrid Base™ Engaging**

Titanium Hybrid Base for screw-retained single restorations and cement-retained single and bridge restorations.



Gingival height	0.3 mm	0.3 mm
Margin diameter	3.5 mm	4.1 mm
Chimney height	3.0 mm	3.0 mm

**Torque Value:** 35 Ncm

HBE-SBO33-1

HBE-SBO41/48-1

**Elos Accurate® Hybrid Base H™ Engaging**

Titanium Hybrid Base for screw-retained single restorations and cement-retained single and bridge restorations.



Gingival height	0.3 mm	0.3 mm
Margin diameter	3.5 mm	4.1 mm
Chimney height	5.5 mm	5.5 mm

**Torque Value:** 35 Ncm

HBE-SBO33H-1

HBE-SBO41/48H-1

**Elos Accurate® Hybrid Base™ Non-Engaging**

Titanium Hybrid Base for screw-retained bridge restorations.



Gingival height	1.7 mm	1.3 mm
Margin diameter	5.0 mm	5.0 mm
Chimney height	4.1 mm	4.1 mm

**Torque Value:** 35 Ncm

HBN-SBO33-1

HBN-SBO41/48-1

**Elos Accurate® Pre-Milled Blank**

Pre-Milled Blank in titanium grade 5 for custom abutment restoration. For use with the Elos Accurate Pre-Milled Blank Holder.



**Torque Value:** 35 Ncm



PMB-SBO33-1



PMB-SBO41-1

**Elos Prosthetic Screw**

Prosthetic screw with M1.6 thread

**Screwdriver:** SCS screwdriver



**Torque Value:** 35 Ncm



AS-SBOM1608POS



AS-SBOM1608POS

**Elos Accurate® Hexalobular Prosthetic Screw**

Prosthetic screw with M1.6 thread

**Screwdriver:** PS-AH18-1, PS-AH26-1 or PS-AH34-1, see last pages.



**Torque Value:** 35 Ncm



AS-SBOM1608A-1



AS-SBOM1608A-1



Must be mounted with Elos Prosthetic Screw or Elos Accurate Hexalobular Prosthetic Screw  
SCREWS NOT INCLUDED



Must be mounted with Elos Accurate Prosthetic Screw  
SCREWS INCLUDED

COMPATIBLE TO:

## Straumann® Screw-Retained Abutment

SSA

3.5

4.6

## Elos Accurate® Scan Body

**Material:** Titanium seating and PEEK in scanning area for optimal scanning results without spraying.

**Screwdriver:** C18512, C13485 or C13048. See last pages.

**Torque Value:** Hand-torque until stable. No more than 5 Ncm.



IO 4D-A



IO 4D-B

## Elos Accurate® Analog for Printed Models

1-piece analog for printed model.

**Analog tools:** PMA-AIT-1, PMA-AIP-2 and PMA-AIS-5. See last pages.



PMA-SSA35-1



PMA-SSA46-1

## Elos Accurate® Hybrid Base™ Non-Engaging

Titanium Hybrid Base for screw-retained bridge restorations.

**Torque Value:** 15 Ncm



Gingival height	1.0 mm	0.9 mm
Margin diameter	5.0 mm	5.0 mm
Chimney height	4.1 mm	4.1 mm

HBN-SSA35-1

HBN-SSA46-1

## Elos Accurate® Hybrid Base H™ Non-Engaging

Titanium Hybrid Base for screw-retained bridge restorations.

**Torque Value:** 35 Ncm



Gingival height	4.1 mm	4.1 mm
Margin diameter	3.8 mm	4.8 mm
Chimney height	4.5 mm	4.5 mm

HBN-SSA35H-1

HBN-SSA46H-1

## Elos Accurate® Hexalobular Prosthetic Screw

Prosthetic screw with M1.4 thread

**Screwdriver:** PS-AH18-1, PS-AH26-1 or PS-AH34-1, see last pages.

**Torque Value:** 15 Ncm



AS-SSAM1404A-1

AS-SSAM1404A-1



COMPATIBLE TO:

## Straumann® Standard and Standard Plus

SSY

3.5 NNC

4.8 RN

6.5 WN

## Elos Accurate® Scan Body

**Material:** Titanium seating and PEEK in scanning area for optimal scanning results without spraying.

**Screwdriver:** C18512, C13485 or C13048. See last pages.

**Torque Value:** Hand-torque until stable. No more than 5 Ncm.



IO 4C-A



IO 4B-A



IO 4B-B

## Elos Accurate® Analog for Printed Models

1-piece analog for printed model.

**Analog tools:** PMA-AIT-1, PMA-AIP-2 and PMA-AIS-5. See last pages.



PMA-SSY48-1



PMA-SSY65-1

## Elos Accurate® Hybrid Base™ Engaging

Titanium Hybrid Base for screw-retained single restorations and cement-retained single and bridge restorations.

**Torque Value:** 35 Ncm



Gingival height

0.4 mm

0.5 mm

Margin diameter

4.5 mm

7.0 mm

Chimney height

3.0 mm

3.0 mm

HBE-SSY48-1

HBE-SSY65-1

## Elos Accurate® Hybrid Base H™ Engaging

Titanium Hybrid Base for screw-retained single restorations and cement-retained single and bridge restorations.

**Torque Value:** 35 Ncm



Gingival height

0.45 mm

0.45 mm

Margin diameter

5.0 mm

7.0 mm

Chimney height

4.5 mm

4.5 mm

HBE-SSY48H-1

HBE-SSY65H-1

## Elos Accurate® Hybrid Base™ Non-Engaging

Titanium Hybrid Base for screw-retained bridge restorations.

**Torque Value:** 35 Ncm



Gingival height

0.3 mm

0.6 mm

Margin diameter

5.7 mm

6.5 mm

Chimney height

4.1 mm

4.1 mm

HBN-SSY48-1

HBN-SSY65-1

## Elos Accurate® Hybrid Base H™ Non-Engaging

Titanium Hybrid Base for screw-retained bridge restorations.

**Torque Value:** 35 Ncm



Gingival height

0.3 mm

Margin diameter

5.3 mm

Chimney height

4.5 mm

HBN-SSY48H-1

## Elos Accurate® Pre-Milled Blank

Pre-Milled Blank in titanium grade 5 for custom abutment restoration. For use with the Elos Accurate Pre-Milled Blank Holder.

**Torque Value:** 35 Ncm



PMB-SSY48-1



PMB-SSY65-1



Must be mounted with Elos Prosthetic Screw or Elos Accurate Hexalobular Prosthetic Screw  
SCREWS NOT INCLUDED

COMPATIBLE TO:

## Straumann® Standard and Standard Plus

SSY

4.8 RN

6.5 WN

## Elos Prosthetic Screw

Prosthetic screw with M2 thread

Screwdriver: SCS screwdriver



Torque Value: 35 Ncm



AS-SSYM207POS

AS-SSYM207POS

Elos Accurate® Hexalobular  
Prosthetic Screw

Prosthetic screw with M2 thread

Screwdriver: PS-AH18-1, PS-AH26-1  
or PS-AH34-1,  
see last pages.

Torque Value: 35 Ncm



AS-SSYM2007A-1

AS-SSYM2007A-1

COMPATIBLE TO:

Straumann® BLX

SBX

**Elos Accurate® Scan Body**

**Material:** Titanium seating and PEEK in scanning area for optimal scanning results without spraying.

**Screwdriver:** C18512, C13485 or C13048. See last pages.

**Torque Value:** Hand-torque until stable. No more than 5 Ncm.

4.5



IO 4E-A

6.5



IO 4E-A

**Elos Accurate® Analog for Printed Models**

1-piece analog for printed model.

**Analog tools:** PMA-AIT-1, PMA-AIP-2 and PMA-AIS-5. See last pages.



PMA-SBX45-1



PMA-SBX65-1

**Elos Accurate® Hybrid Base™ Engaging**

Titanium Hybrid Base for screw-retained single restorations and cement-retained single and bridge restorations.

**Torque Value:** 35 Ncm



HBE-SBX45-1



HBE-SBX65-1

Gingival height	0.9 mm	0.9 mm
Margin diameter	4.1 mm	4.1 mm
Chimney height	3.0 mm	3.0 mm

**Elos Accurate® Hybrid Base H™ Engaging**

Titanium Hybrid Base for screw-retained single restorations and cement-retained single and bridge restorations.

**Torque Value:** 35 Ncm



HBE-SBX45H-1



HBE-SBX65H-1

Gingival height	0.9 mm	0.9 mm
Margin diameter	4.1 mm	4.1 mm
Chimney height	5.5 mm	5.5 mm

**Elos Accurate® Hybrid Base™ Non-Engaging**

Titanium Hybrid Base screw for screw-retained bridge restorations.

**Torque Value:** 35 Ncm



HBN-SBX45-1



HBN-SBX65-1

Gingival height	1.5 mm	1.5 mm
Margin diameter	5.0 mm	5.0 mm
Chimney height	4.1 mm	4.1 mm

**Elos Accurate® Hybrid Base H™ Non-Engaging**

Titanium Hybrid Base for screw-retained bridge restorations.

**Torque Value:** 35 Ncm



HBN-SBX45H-1



HBN-SBX65H-1

Gingival height	1.5 mm	1.5 mm
Margin diameter	4.5 mm	4.5 mm
Chimney height	5.0 mm	5.0 mm

**Elos Prosthetic Screw**

Prosthetic screw with M1.4, M1.6 or M2 thread.

**Screwdriver:** 0.050" Hex screwdriver

**Torque Value:**  
 Ø3.0: 15 Ncm,  
 Ø3.5/4.0: 20 Ncm,  
 Ø4.5/5.0: 25 Ncm



AS-SBXM1606POS



AS-SBXM1606POS

**Elos Accurate® Hexalobular Prosthetic Screw**

Prosthetic screw with M1.4, M1.6 or M2 thread.

**Screwdriver:** PS-AH18-1, PS-AH26-1 or PS-AH34-1, see last pages.

**Torque Value:**  
 Ø3.0: 15 Ncm,  
 Ø3.5/4.0: 20 Ncm,  
 Ø4.5/5.0: 25 Ncm



AS-SBXM1606A-1



AS-SBXM1606A-1

COMPATIBLE TO:

## Certain® Internal Connection

BCE

## Elos Accurate® Scan Body

**Material:** Titanium seating and PEEK in scanning area for optimal scanning results without spraying.

**Screwdriver:** C18512, C13485 or C13048. See last pages.

**Torque Value:** Hand-torque until stable. No more than 5 Ncm.

3.4



IO 7B-A

4.1



IO 7B-B

5.0



IO 7B-B

6.0



IO 7B-B

## Elos Accurate® Analog for Printed Models

1-piece analog for printed model.

**Analog tools:** PMA-AIT-1, PMA-AIP-2 and PMA-AIS-5. See last pages.



PMA-BCE34-1



PMA-BCE41-1



PMA-BCE50-1



PMA-BCE60-1

## Elos Accurate® Hybrid Base™ Engaging

Titanium Hybrid Base for screw-retained single restorations and cement-retained single and bridge restorations.

**Torque Value:** 20 Ncm



HBE-BCE34-1



HBE-BCE41-1



HBE-BCE50-1



HBE-BCE60-1

Gingival height	0.4 mm	0.4 mm	0.4 mm	0.4 mm
Margin diameter	3.1 mm	3.4 mm	5.0 mm	6.0 mm
Chimney height	3.0 mm	3.0 mm	3.0 mm	3.0 mm

## Elos Accurate® Pre-Milled Blank

Pre-Milled Blank in titanium grade 5 for custom abutment restoration. For use with the Elos Accurate Pre-Milled Blank Holder.

**Torque Value:** 35 Ncm



PMB-BCE34-1



PMB-BCE41-1



PMB-BCE50-1



PMB-BCE60-1

## Elos Prosthetic Screw

Prosthetic screw with M1.6 thread

**Screwdriver:** 0.050" (1.25 mm) Hex screwdriver

**Torque Value:** 20 Ncm



AS-BCEM168POS



AS-BCEM168POS



AS-BCEM168POS



AS-BCEM168POS

## Elos Accurate® Hexalobular Prosthetic Screw

Prosthetic screw with M1.6 thread

**Screwdriver:** PS-AH18-1, PS-AH26-1 or PS-AH34-1, see last pages.

**Torque Value:** 20 Ncm



AS-BCEM1608A-1



AS-BCEM1608A-1



AS-BCEM1608A-1



AS-BCEM1608A-1



COMPATIBLE TO:

## External Hex Connection

BEH

## Elos Accurate® Scan Body

**Material:** Titanium seating and PEEK in scanning area for optimal scanning results without spraying.

**Screwdriver:** C18512, C13485 or C13048. See last pages.

**Torque Value:** Hand-torque until stable. No more than 5 Ncm.

3.4



IO 7A-A

4.1



IO 7A-B

5.0



IO 7A-B

6.0



IO 7A-B

## Elos Accurate® Analog for Printed Models

1-piece analog for printed model.

**Analog tools:** PMA-AIT-1, PMA-AIP-2 and PMA-AIS-5. See last pages.



PMA-BEH34-1



PMA-BEH41-1



PMA-BEH50-1



PMA-BEH60-1

COMPATIBLE TO:

## Tapered Screw-Vent® Implant System

ZSV

## Elos Accurate® Scan Body

**Material:** Titanium seating and PEEK in scanning area for optimal scanning results without spraying.

**Screwdriver:** C18512, C13485 or C13048. See last pages.

**Torque Value:** Hand-torque until stable. No more than 5 Ncm.

## Elos Accurate® Analog for Printed Models

1-piece analog for printed model.

**Analog tools:** PMA-AIT-1, PMA-AIP-2 and PMA-AIS-5. See last pages.

## Elos Accurate® Hybrid Base™ Engaging

Titanium Hybrid Base for screw-retained single restorations and cement-retained single and bridge restorations.

**Torque Value:** 30 Ncm



	3.5	4.5	5.7
Gingival height	0.6 mm	0.4 mm	0.3 mm
Margin diameter	4.5 mm	5.0 mm	6.0 mm
Chimney height	3.0 mm	3.0 mm	3.0 mm
	HBE-ZSV35-1	HBE-ZSV45-1	HBE-ZSV57-1

## Elos Accurate® Hybrid Base™ Non-Engaging

Titanium Hybrid Base for screw-retained bridge restorations.

**Torque Value:** 30 Ncm



	3.5	4.5	5.7
Gingival height	0.9 mm	0.5 mm	0.4 mm
Margin diameter	5.0 mm	5.0 mm	6.0 mm
Chimney height	3.0 mm	3.0 mm	3.0 mm
	HBN-ZSV35-1	HBN-ZSV45-1	HBN-ZSV57-1

## Elos Accurate® Pre-Milled Blank

Pre-Milled Blank in titanium grade 5 for custom abutment restoration. For use with the Elos Accurate Pre-Milled Blank Holder.

**Torque Value:** 35 Ncm



	3.5	4.5	5.7
	PMB-ZSV35-1	PMB-ZSV45-1	PMB-ZSV57-1

## Elos Prosthetic Screw

Prosthetic screw with M1.8 thread

**Screwdriver:** 1.25 mm Hex screwdriver

**Torque Value:** 30 Ncm



	3.5	4.5	5.7
	AS-ZSVM1808POS	AS-ZSVM1808POS	AS-ZSVM1808POS

## Elos Accurate® Hexalobular Prosthetic Screw

Prosthetic screw with M1.8 thread

**Screwdriver:** PS-AH18-1, PS-AH26-1 or PS-AH34-1, see last pages..

**Torque Value:** 30 Ncm



	3.5	4.5	5.7
	AS-ZSVM1808A	AS-ZSVM1808A	AS-ZSVM1808A





COMPATIBLE TO:

## Low Profile Abutment

MUA

4.5

### Elos Accurate® Scan Body

**Material:** Titanium seating and PEEK in scanning area for optimal scanning results without spraying.

**Screwdriver:** C18512, C13485 or C13048. See last pages.

**Torque Value:** Hand-torque until stable. No more than 5 Ncm.



IO 2C-A

### Elos Accurate® Analog for Printed Models

1-piece analog for printed model.

**Analog tools:** PMA-AIT-1, PMA-AIP-2 and PMA-AIS-5. See last pages.



PMA-MUA45-1

### Elos Accurate® Hybrid Base™ Non-Engaging

Titanium Hybrid Base screw for screw-retained bridge restorations.

**Torque Value:** 15 Ncm



Gingival height 0.9 mm

Margin diameter 5.0 mm

Chimney height 4.1 mm



HBN-MUA45-1

### Elos Accurate® Hybrid Base H™ Non-Engaging

Titanium Hybrid Base for screw-retained bridge restorations.

**Torque Value:** 15 Ncm



Gingival height 0.3 mm

Margin diameter 5.0 mm

Chimney height 4.5 mm



HBN-MUA45H-1

### Elos Accurate® Hexalobular Prosthetic Screw

Prosthetic screw with M1.8 thread.

**Screwdriver:** PS-AH18-1, PS-AH26-1 or PS-AH34-1, see last pages.

**Torque Value:** 15 Ncm



AS-MUAM1403A-1

### Elos Prosthetic Screw

Prosthetic screw with M1.6, M2 and M2.5 thread

**Screwdriver:** Nobel Biocare Unigrip

**Torque Value:** 35 Ncm



AS-MUAM1403POS



Must be mounted with Elos Prosthetic Screw or Elos Accurate Hexalobular Prosthetic Screw  
SCREWS **NOT** INCLUDED

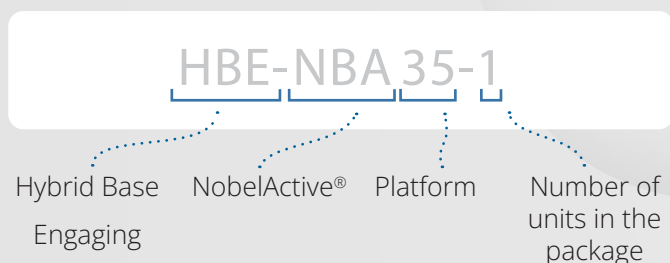
# Naming structure (compatibility)

Our new naming structure follows a consistent and logical system

## The system codes

	Implant System	System code
<b>BIO-HORIZONS</b>	BioHorizons Internal	BHI
	BioHorizons Multi-Unit Abutment	BHM
<b>CAMLOG</b>	Camlog®	CAS
	Camlog® Bar Abutment	CBA
<b>DENTSPLY SIRONA</b>	Ankylos®	DAN
	Ankylos Balance Base Abutment	DBA
	Astra Tech Implant System	ATO
	Astra Tech UniAbutment	ATU
	Astra Tech Implant System EV	ATE
	Astra Tech Implant System Profile EV	ATE-P
	MultiBase EV	MUA
	UniAbutment EV	AUE
	Xive®	DXI
	<b>NEODENT</b>	Grand Morse
Grand Morse Micro Abutment		NBA
Grand Morse Mini Abutment		MUA
<b>NEOSS</b>	Access Abutment	NAC
	Implant System	NIS
<b>NOBEL BIOCARE</b>	Brånemark System	BRA
	Conical Connection and NobelActive®	NBA
	Multi-Unit Abutment	MUA
	Replace®	NBR
<b>STRAUMANN</b>	Bone Level	SBO
	Screw-retained Abutment	SSA
	Standard and Standard Plus	SSY
	BLX	SBX
<b>ZIMVIE</b>	Certain® Internal Connection	BCE
	External Hex Connection	BEH
	Tapered Screw-Vent® Implant	ZSV
	Low Profile Abutment	MUA

## Naming structure



# Elos Accurate<sup>®</sup> Libraries

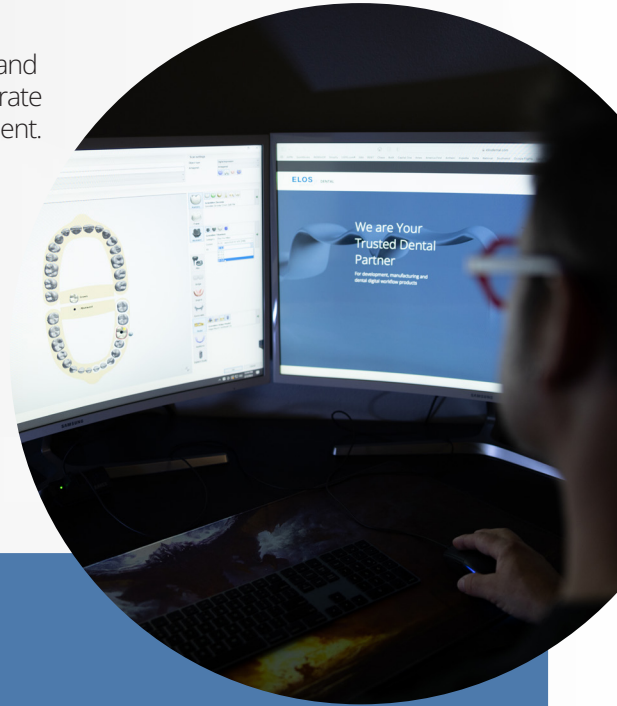
## Precision Meets Simplified Efficiency

Elos Accurate Libraries serve as the crucial link between your CAD software and specific implant components. They simplify your workflow by providing accurate representations of physical components, making your processes more efficient.

By making use of Elos Accurate Libraries, you can design and fabricate customized milled abutments, create one-piece bridges and bars with implant connection geometries, and achieve predictable results with engaging and non-engaging hybrid base restorations. Our libraries offer all the necessary tools at your disposal, empowering you to create outstanding dental restorations.

Why wait? Download Elos Accurate Libraries now and enjoy designing with accurate representations of physical components, which enable predictable

**exocad** **3shape** **dental wings**



## Elos Accurate<sup>®</sup> Libraries at a glance

### 1. COMPREHENSIVE DIGITAL LIBRARIES

Elos Accurate Libraries are open digital resources that include all relevant components for major design software such as 3Shape, Exocad, and Dental Wings. They cover a wide range of implant solutions for various prosthetic indications.

### 2. SIMPLIFIED WORKFLOW

Seamlessly integrating into your digital workflow, Elos Accurate Libraries encompass all the necessary components for dental implant solutions. You can design solutions from start to finish in a digital environment, even when working with conventional impressions. This saves time and reduces the risk of errors. The libraries are compatible with popular platforms, eliminating the need to switch between implant-specific databases, scan bodies, or their settings, simplifying the workflow and reducing complexity.

### 3. USABILITY AND FLEXIBILITY

Integrated seamlessly into major open CAD and CAM software applications, Elos Accurate Libraries allow dental professionals to work with their preferred tools and equipment.

### 4. PRECISION

Elos Accurate Libraries prioritize precision in dental implant procedures. They provide a comprehensive range of components and tools to ensure a precise model, enabling predictable results that enhance the success rate of dental restorations and improve patient satisfaction.

### 5. CONTINUOUS UPDATES AND SUPPORT

The libraries receive regular updates to incorporate new products and software advancements. Elos Medtech collaborates closely with CAD/CAM software providers, implant companies, and dental clinics/labs to gather knowledge and ensure the libraries remain up-to-date and reliable.

### 6. PROVEN TRACK RECORD

Elos Accurate Libraries have gained trust and positive feedback from the dental industry. They have been downloaded tens of thousands of times by users worldwide and have a reputation for delivering reliable results. Elos Medtech's focus on digital solutions since the birth of the dental digital era and its commitment to quality contribute to the library's credibility.

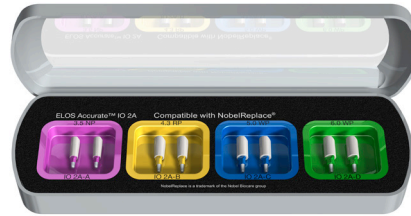
**DOWNLOAD  
THE LIBRARY**



In short, Elos Accurate Libraries offer comprehensive, user-friendly, and precise digital resources that enhance the workflow of dental professionals. They support implant procedures and provide value to implant companies, dental labs, and clinics.

## Elos Accurate® Scan Body Kit

For the major implant systems, we offer IO Scanbody kits containing all implant platforms available for the system. The IO Scanbodies are delivered in a practical box with clear markings for your convenience.



### Elos Accurate® Brånemark® Kit

In the box  
2 ea., NP + RP + WP



IO 6A KIT

### Elos Accurate® Nobel Biocare® Conical Connection SA Kit

In the box  
2 ea., 3.0 + 3.5NP + 4.3/5.0RP + 5.5WP



IO 2B SA KIT

### Elos Accurate® Nobel Biocare® Conical Connection Kit

In the box  
2 ea., 3.0 + 3.5NP + 4.3/5.0RP + 5.5WP



IO 2B KIT

### Elos Accurate® Nobel Biocare® Multi-Unit Kit (MUA)

In the box  
2 ea., NP/RP + WP



IO 2C KIT

### Elos Accurate® Nobel Replace® Kit

In the box  
2 ea., NP + RP + WP + 6.0



IO 2A KIT

## Elos Accurate® Instruments

### Elos Accurate® Scan Body Driver

**Material:** Stainless Steel

**Torque Value:** Hand-torque until stable. Maximum 5 Ncm



Length	92 mm	25 mm	16 mm	24 mm
	C13048	C13485	C18512	SBD-M-1

### Elos Accurate® Analog Pliers

**Material:** Stainless Steel and Titanium

To be used when placing Elos Accurate Analog for Printed Models, article numbers starting with PMA.



PMA-AIT-1

The driver (SBD-M-1) is backward compatible with all Elos Accurate scan bodies.

### Elos Accurate® Analog Insertion Pin

**Material:** Stainless Steel

To be used when placing Elos Accurate Analog for Printed Models, article numbers starting with PMA.



PMA-AIP-2

### Elos Accurate® Analog Insertion Screw

**Material:** Stainless Steel

Optional product for extra safety after placing Elos Accurate Analog for Printed Models, article numbers starting with PMA.



PMA-AIS-5


## Elos Accurate® Instruments

### Elos Accurate® Prosthetic Screwdriver

**Material:** Stainless Steel

Hexalobular screwdriver with RA connection

To be used when placing Elos Accurate Hybrid Base Bridge constructions.




Length	18 mm	26 mm	34 mm
	PS-AH18-1	PS-AH26-1	PS-AH34-1

### Elos Driver

**Connection:** RA

Handle for Elos Accurate® Prosthetic Screwdriver.  
Can be used with Elos Accurate® Torque Control



Length	16.5 mm	11.2 mm	80 mm
	C8381	C8382	C8830

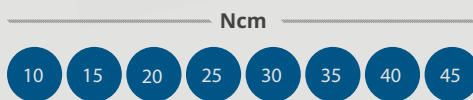
# Torque wrench

The Elos Torque Wrench is the perfect tool for implant surgery and prosthetic procedure. Accurate, easy to clean and versatile.

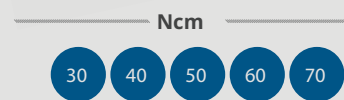
## A few facts

- The TW-45-1 and TW-70-1 are sold without drivers
- They both contain a high-precision indicator with visible and clear laser markings
- Fast cleaning - only 2 components to clean
- Same driver for all Elos' torque wrenches

TW-45-1



TW-70-1



## DRIVERS FOR ELOS TORQUE WRENCHES



C8381



C8382

RA | CONNECTION: ISO 1797

Handle used for applying torque up to 50 Ncm. Mainly for **prosthetic** use.



C8521



C8522

4 X 4 | CONNECTION: 4 X 4

Handle used for applying torque up to 150 Ncm. Mainly for **surgical** use.



C9271



C9141

CA | CONNECTION: ISO 17509

Handle used for applying torque up to 90 Ncm. Mainly for **surgical** use.



C9509



C9511

DOUBLE 4 X 4 | CONNECTION: DOUBLE 4 X 4

Handle used for applying torque up to 150 Ncm. Mainly for **surgical** use.



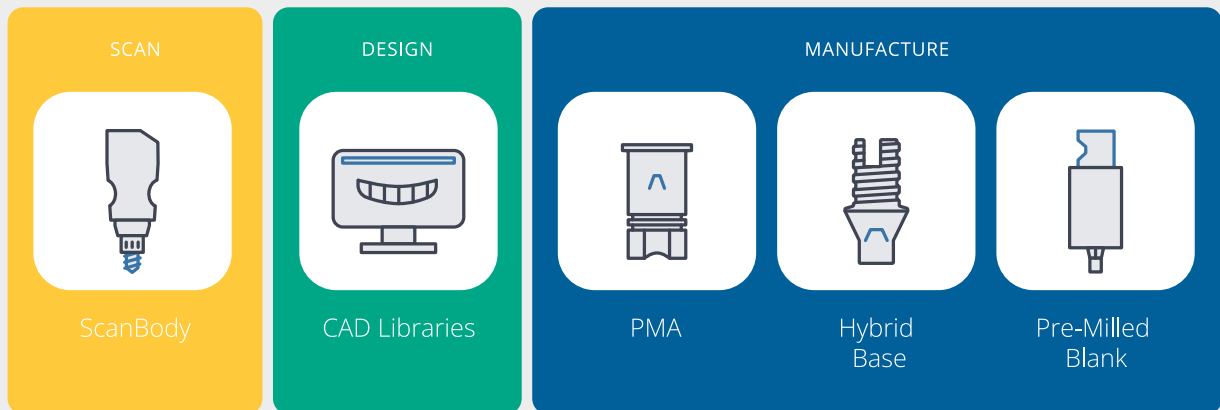
C11572

HEX | CONNECTION: 6.35MM HEX

Handle used for applying torque up to 150 Ncm. Mainly for **surgical** use.

# Digital SMART Flow

Simplify the **M**anufacturing of **A**ccurate **R**estorations with **T**echnology



The Elos Medtech Digital SMART Flow concept includes various tools – scan bodies, hybrid bases (Ti-bases), pre-milled blanks, and abutments – needed for digital workflows. All of them are FDA cleared or MDR compliant where required.

Digital SMART Flow is a particularly exciting concept in the ongoing democratization of digital dentistry. As the name indicates, the new concept aims to eliminate complexity from digital workflows, with SMART standing for:

## **Simplify the Manufacturing of Accurate Restorations with Technology.**

The unwavering commitment to accuracy of course characterizes all products in the Digital SMART Flow portfolio, and our open library contains all relevant CAD/CAM parts for 3Shape, Dental Wings and exocad software.

Technical excellence is in our very DNA. For more than a quarter of a century, Elos Medtech has been a partner and subcontractor for all the major dental implant companies.

We were founded in 1923 in Sweden and are a leading development and production partner for the medtech industry.